

A

B

C

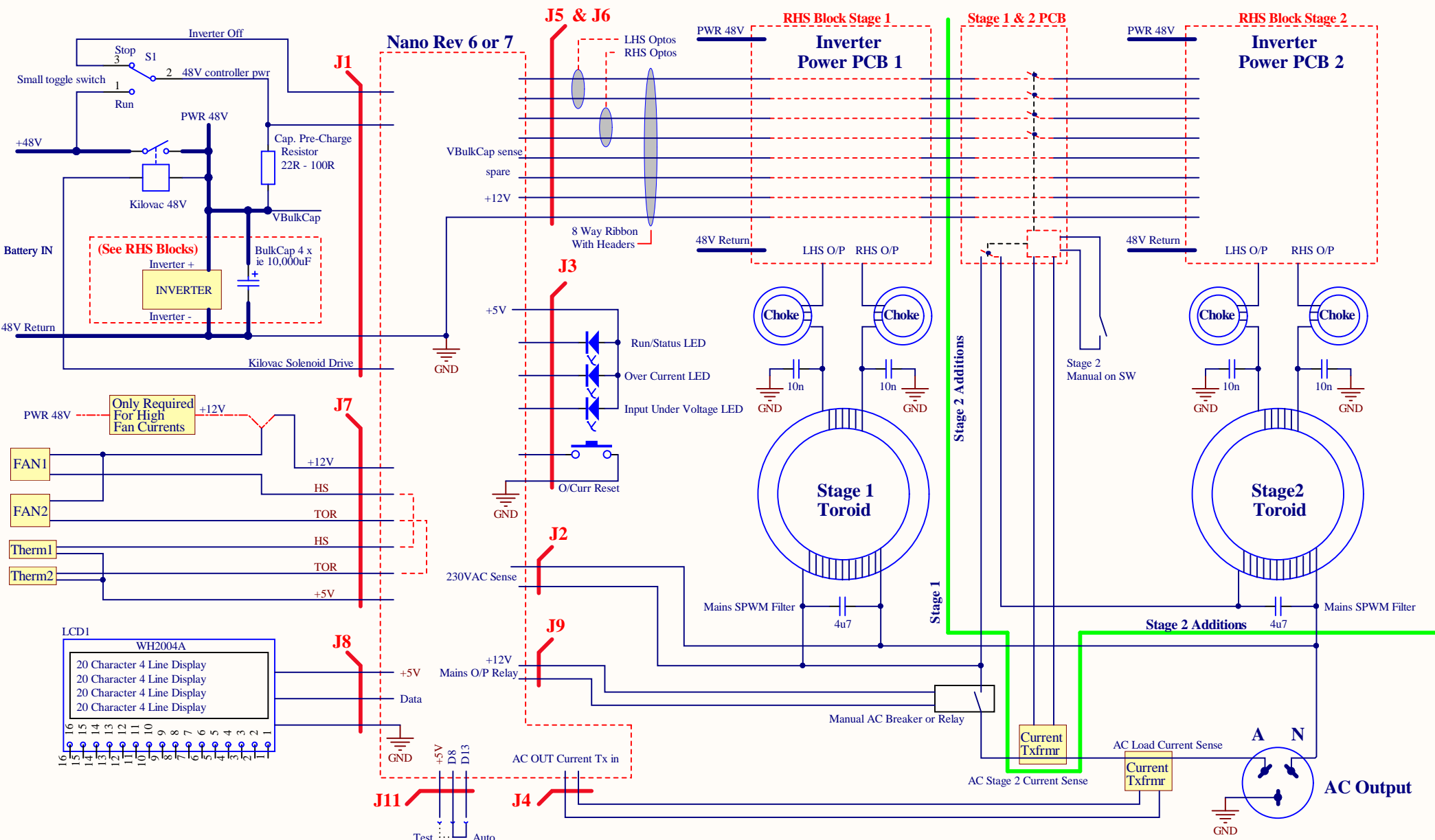
D

A

B

C

D



Switch S1 to run, Bulk caps charge and UV/LED lights and goes off when VCaps=Vin.  
 Contactor closes automatically and Run LED flashes at 2Hz until mains has ramped up.  
 When ramped up Run lamp will now flash at 1Hz and Mains up can activate mains output.  
 Switch S1 to "stop", which activates VLow, Run Lamp goes off & main DC Contactor opens

Title		
<b>WG39 Auto Start &amp; Stage 1&amp;2</b>		
Size	Number	Revision
A4		
Date:	12/09/2024	Sheet of
File:	D:\Altium\12KW 2Stage NanoR7 Auto Start PCB By:	